



Sustainable LED Lighting Solutions...

DATA SHEET.

LOW OUTPUT 3 WATT MR16 LED

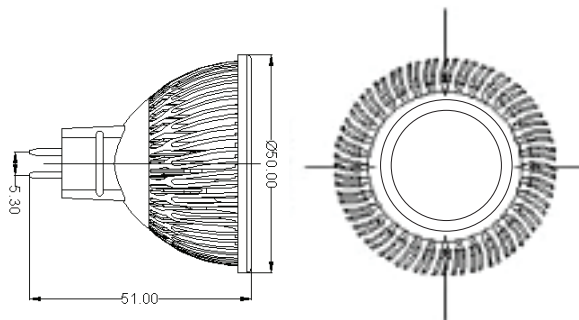
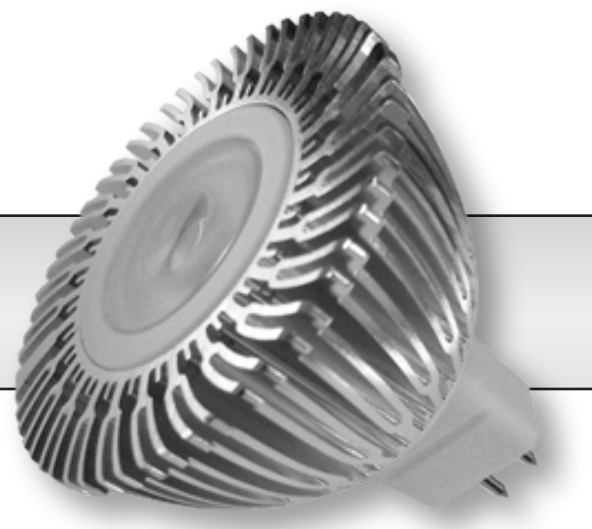
MODEL # - E-MR16/LO/1X3W

MR16 based

Covered under a 2 year warranty.

SPECIFICATIONS.

BASE :	GU5.3
DIODES :	1x3 W CREE™ XRE
POWER CONSUMPTION (W) :	3 W
AVAILABLE COLOURS ...	
CCT (K) - COOL :	5500° K
CCT (K) - WARM :	3050° K
LUMEN OUTPUT (lm) - COOL :	160 lm @ 5500° K
LUMEN OUTPUT (lm) - WARM :	110 lm @ 3100° K
CRI :	>85
BEAM ANGLE :	30°
OPERATING VOLTAGE (V) :	11 - 18VAC
L70 RATED LIFESPAN (hrs) :	50,000 Hours
IP RATING :	IP54 - Indoor Only
THERMAL MATERIAL :	Die Cast Aluminum
WARRANTY :	2 Years



- Replace up to a 20 Watt MR16 Halogen.
- Unique Anodized die cast aluminum multi-fin thermal management keeps the bulb cool increasing longevity and reducing the need for ventilation.
- Patented light distribution technique ensures wide spread light beam resulting in maximum area coverage.
- Solid state circuitry ensures reliable operation for upwards of 50,000 hours.
- State of the art CREE™ diodes are over 90% more energy efficient than halogens.
- Contains no mercury, emits no UV or IR radiation, no special disposal requirements.

CONTACT INFO.

www.elumanation.com
416.225.6400 - Toronto area
1.866.558.8270 - Toll Free

info@elumanation.com
1750 Plummer Street, Unit 15
Pickering, ON, Canada. L1W 3L7